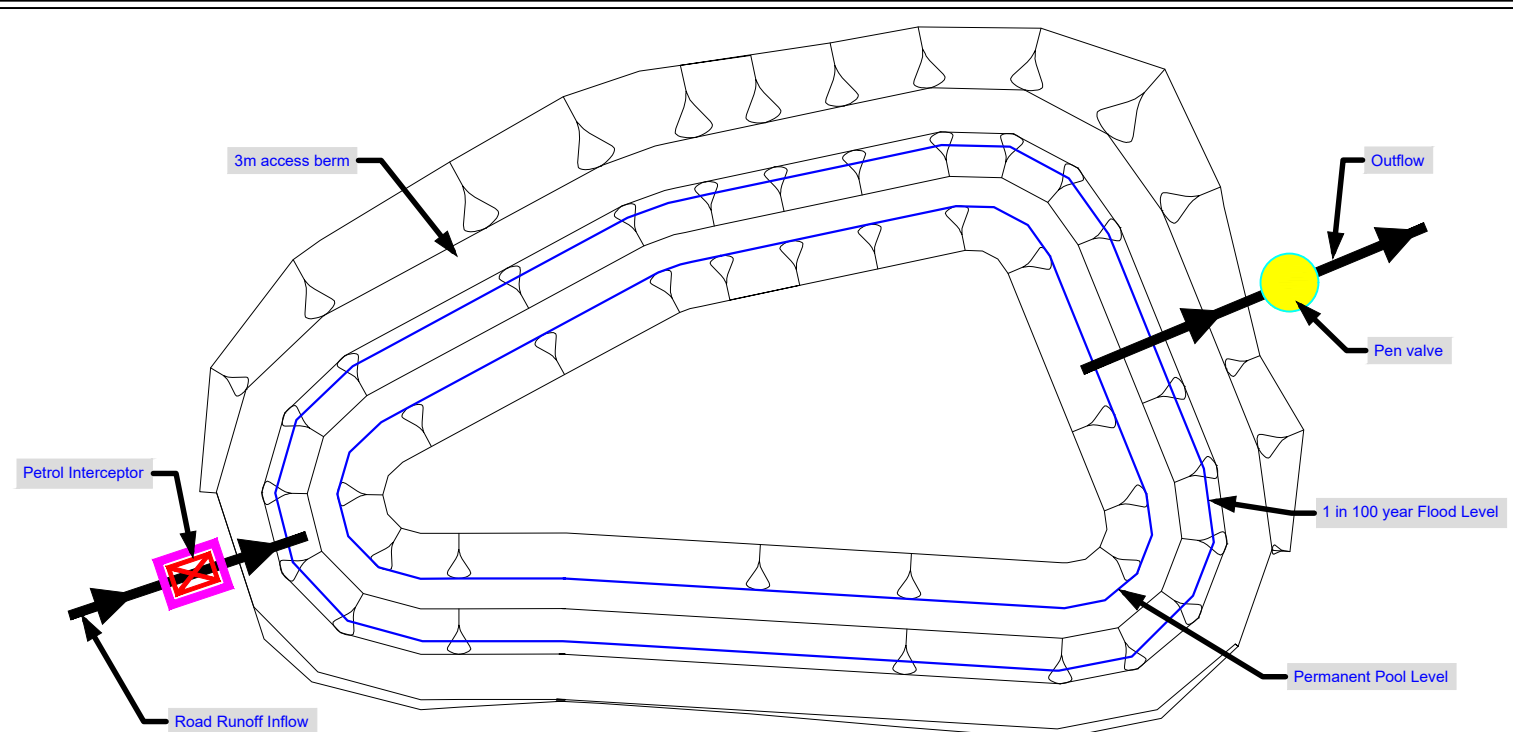
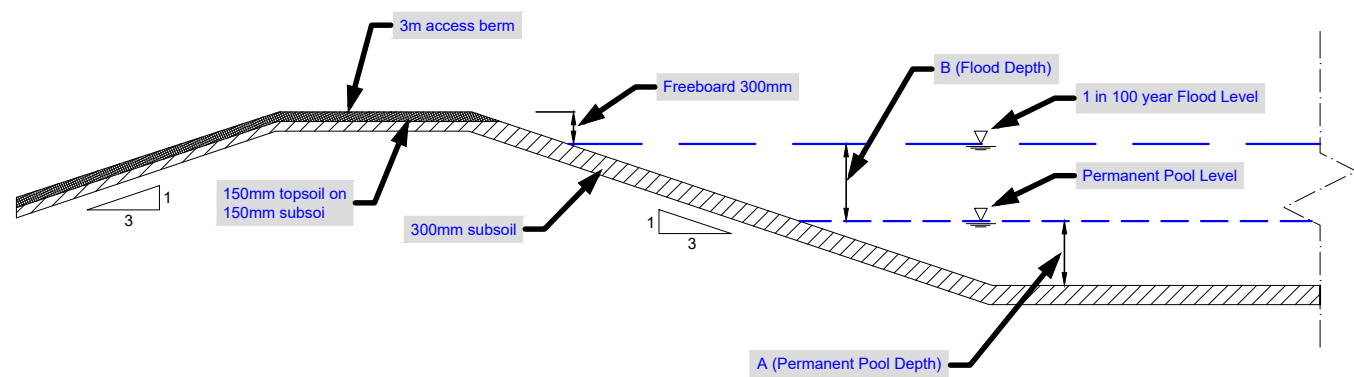


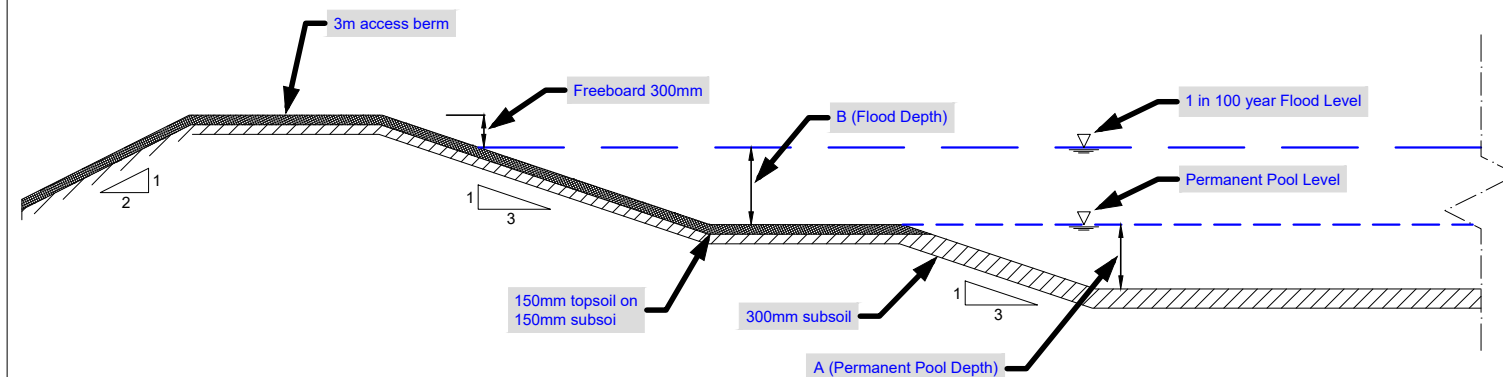
Indicative plan detail of Type A Wetland Attenuation Pond (1:500)



Indicative plan detail of Type B Wetland Attenuation Pond (1:500)



Type A detail adopted for design purposes  
(Not to Scale)



Type B detail adopted for design purposes  
(Not to Scale)

Legend

**Note:**  
Planting in accordance with Chapter 4 and Chapter 12 of this EIAR.

Pond Identifier	Pond Type	Parametric values (indicated on details section)	
		Depth A (m)	Depth B (m)
No. 01 Doonally	Type A	0.4	0.3
No. 02 Castlegal	Type A	0.4	0.3
No. 03 Collinsford	Type B	0.7	0.7
No. 04 Lugnagall	Type A	0.4	0.3

**Note:-**  
All proposed road levels indicated are based on a Design developed for Phase 3 and 4 of the TII Project Management Guidelines.

No other use of this material may be made without the licence of the copyright holder in accordance with Section 74(3) of the Copyright and related Rights Act, 2000.  
© Ordnance Survey Ireland. All rights reserved. Licence number 2010/20 CCMA/ Sligo County Council



Date	By	Revision

<b>Project</b> N16 Lugatober (Drumkilsellagh to Lugnagall)			
<b>Title</b> Design Overview, Drainage System: Schematic detail of Constructed Wetland/Attenuation Ponds			
<b>Scales</b> Varies (as shown) @ A3	<b>Date</b> February 2019	<b>Job No.</b> SO/14/11549	
<b>Design</b> FM	<b>Drawn</b> BR	<b>Checked</b> FM	<b>Approved</b> EC
			<b>Figure No.:</b> Fig. 4.7.4